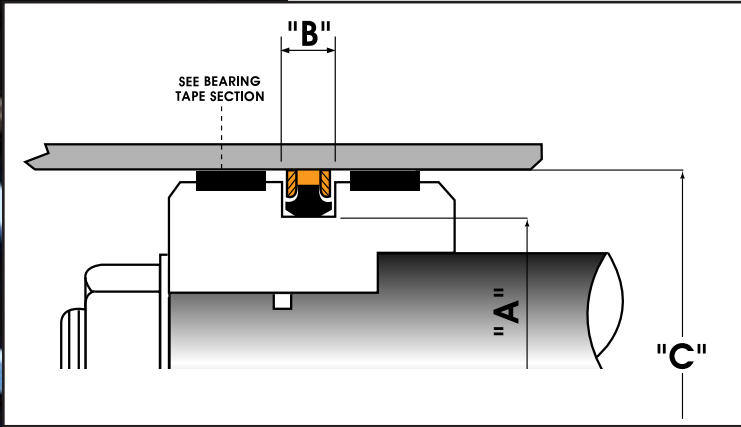
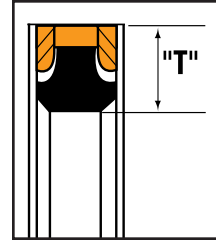


# T-LON "TLM" Metric 4 Piece Piston Seal



Material Code	Material Description	Application
T-LON-21	40% Bronze	High Speed/Improved Seal Ability
T-LON-31	15% Glass - 5% Moly	General Purpose



NOTE: Other materials available upon request.

LOADER MATERIAL:  
80 Duro NBR (BUNA)

ANTI-EXTRUSION RING:  
T-LON 6N Material

T-LON® "TLM" four piece seal is a double acting, high pressure, high performance piston seal accommodating larger extrusion gaps when used with T-LON® PTFE wear rings.

The "TLM" four piece seal assembly consists of a filled PTFE ring and a rubber energizer. These components are protected from extrusion and foreign material by two nylon anti-extrusion rings.

Part No.	Bore Dia. (C)	T O L	Groove Dimensions			C/S Nom. (T)	Piston Clearance					
			Diameter (A)	T O L	Width (B)		T O L	Without Wear Rings	With Wear Rings			
TLM-0050-080-XX	50.0	+0.05/-0.0	40.0	+0.0/-0.05	8.0	5.0	0.15	0.76				
TLM-0060-080-XX	60.0		50.0									
TLM-0063-080-XX	63.0		53.0									
TLM-0070-080-XX	70.0		60.0									
TLM-0050-090-XX	50.0		+0.08/-0.0		36.0	+0.0/-0.08			9.0	7.0	0.20	0.94
TLM-0055-090-XX	55.0				41.0							
TLM-0060-090-XX	60.0				46.0							
TLM-0065-090-XX	65.0				51.0							
TLM-0075-090-XX	75.0	63.0										
TLM-0065-110-XX	65.0	+0.25/-0.0		50.0	+0.0/-0.08		11.0	7.5	0.20	0.94		
TLM-0070-110-XX	70.0			55.0								
TLM-0075-110-XX	75.0			60.0								
TLM-0080-110-XX	80.0		65.0									
TLM-0085-110-XX	85.0		70.0									
TLM-0090-110-XX	90.0		75.0									
TLM-0095-110-XX	95.0		80.0									
TLM-0080-120-XX	80.0		+0.08/-0.0	65.0		+0.0/-0.08	12.0	7.5			0.20	0.94
TLM-0090-120-XX	90.0			75.0								
TLM-0070-125-XX	70.0			55.0								
TLM-0080-125-XX	80.0			65.0								
TLM-0090-125-XX	90.0			75.0								
TLM-0100-125-XX	100.0			85.0								
TLM-0105-125-XX	105.0			90.0								





# T-LON "TLM" Metric 4 Piece Piston Seal

Part No.	Bore Dia. (C)	T O L	Groove Dimensions			C/S Nom. (T)	Piston Clearance	
			Diameter (A)	T O L	Width (B)		Without Wear Rings	With Wear Rings
TLM-0110-125-XX	110.0	+0.08/-0.0	95.0	+0.0/-0.08	12.5	7.5	0.20	0.94
TLM-0115-125-XX	115.0		100.0					
TLM-0120-125-XX	120.0		105.0					
TLMH0120-160-XX	120.0	+0.10/-0.0	100.0	+0.0/-0.10	16.0	10.0	0.25	1.12
TLM-0125-160-XX	125.0		102.0					
TLMH0125-160-XX	125.0		105.0					
TLM-0130-160-XX	130.0		107.0					
TLMH0130-160-XX	130.0		110.0					
TLM-0135-160-XX	135.0		112.0					
TLM-0140-160-XX	140.0		117.0					
TLMH0140-160-XX	140.0		120.0					
TLM-0145-160-XX	145.0		122.0					
TLM-0150-160-XX	150.0		127.0					
TLM-0155-160-XX	155.0		132.0					
TLM-0160-160-XX	160.0		137.0					
TLMH0160-160-XX	160.0		140.0					
TLM-0165-160-XX	165.0		142.0					
TLM-0170-160-XX	170.0		147.0					
TLMH0170-160-XX	170.0		150.0					
TLM-0180-160-XX	180.0		157.0					
TLMH0180-160-XX	180.0		160.0					
TLM-0185-160-XX	185.0		162.0					
TLM-0190-160-XX	190.0		167.0					
TLM-0200-160-XX	200.0	177.0						
TLM-0210-160-XX	210.0	187.0						
TLM-0220-160-XX	220.0	197.0						
TLM-0225-160-XX	225.0	202.0						
TLM-0230-160-XX	230.0	207.0						
TLM-0240-160-XX	240.0	217.0						
TLM-0250-175-XX	250.0	+0.13/-0.0	222.0	+0.0/-0.13	17.5	14.0		
TLM-0260-175-XX	260.0		232.0					
TLM-0270-175-XX	270.0		242.0					
TLM-0280-175-XX	280.0		252.0					
TLM-0300-175-XX	300.0		272.0					
TLM-0320-175-XX	320.0	292.0						
TLM-0140-190-XX	140.0	+0.08/-0.0	120.0	+0.0/-0.08	19.0	10.0		
TLM-0150-190-XX	150.0		130.0					
TLM-0160-190-XX	160.0		140.0					

EXAMPLE PART NUMBER WHEN ORDERING

TLM - 0125 - 160 - 31  
 Bore (C) ——— Groove Width (B) ——— -XX Material Code