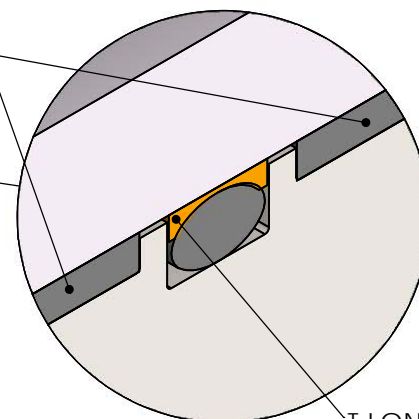


Wear Rings



T-LON® "POC" Seal

Description:

The POC piston seal is a proven reliable seal for both low and medium pressure systems. They are designed to fit in standard o-ring glands for easy upgradable seals.

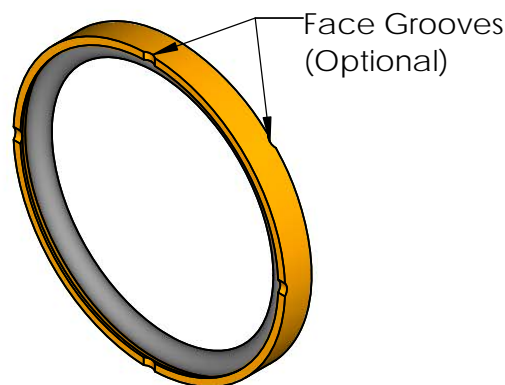
The POC seal is a low profile double-acting filled T-LON® PTFE compound with an o-ring elastomer energizer designed for reciprocating or slow rotary applications with lower seal drag than o-ring/elastomer seals. The filled PTFE seal ring is manufactured with an interference fit with the bore and optimum compression with the o-ring energizer. This offers excellent sealability at low pressures and high pressures when the cylinder experiences ballooning. Since the energizers are standard AS568 o-ring sizes, many elastomer compounds are readily available.

Advantages:

- Low seal drag/friction (Minimize energy loss)
- No Stick-slip (Smooth Operation)
- Long seal life from T-LON® filled PTFE compounds
- Available for cylinders up to 20" diameter

Face Grooves (Optional):

For applications with high pressure rise rates, pressure spikes, and rapid change of direction, the seal is apt to experience blow-by. To prevent blow-by and to energize the seal rapidly, face grooves are added to both sides of the seal.



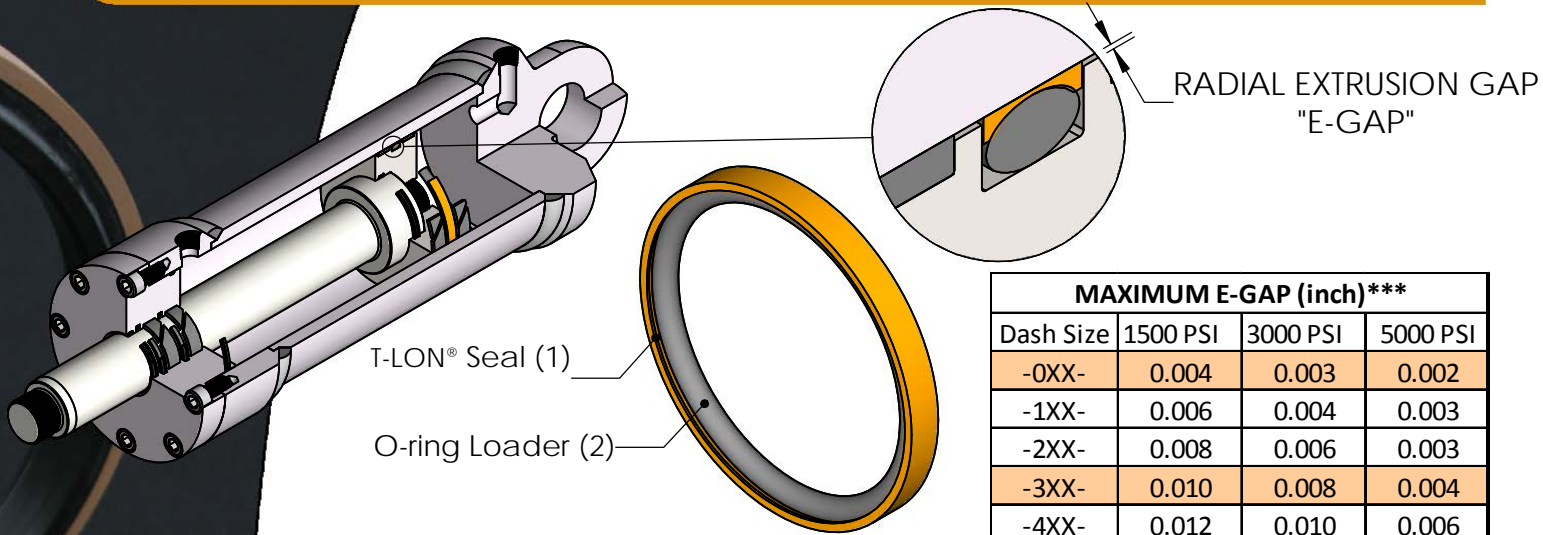
Face Grooves (Optional)

Applications:

- Mobile Hydraulic Cylinders
- Pneumatic Piston Cylinders
- Agriculture Equipment
- Hydraulic Valves and Pumps
- Static O-ring Glands (Prevents o-ring spiraling, Reduces friction/seal drag during assembly/disassembly)



T-LON® "POC" Series O-ring Cap Piston Seal



MAXIMUM E-GAP (inch)***			
Dash Size	1500 PSI	3000 PSI	5000 PSI
-0XX-	0.004	0.003	0.002
-1XX-	0.006	0.004	0.003
-2XX-	0.008	0.006	0.003
-3XX-	0.010	0.008	0.004
-4XX-	0.012	0.010	0.006

Technical Data:

- (1) T-LON® seal compound determines allowable pressure and velocity ranges
 - Velocity: Up to 12 ft/s
 - Pressure: Up to 5000 psi (Function of e-gap and T-LON® compound. Max velocity and pressure cannot be used together)

Most Common:

GLASS FILLED PTFE ("03")

- Good wear resistance for tubes with rougher surface finish
- Chemical resistant and low seal drag

MINERAL MoS2 FILLED PTFE ("41")

- Good wear resistance with lubricating additive
- Very low seal drag and low abrasiveness

***USE PISTON WEAR RINGS SO E-GAP DOES NOT EXCEED TABLED VALUES

- (2) Loader compound determines temperature and chemical compatibility

Most Common:

NBR SHORE 70 A ("P")

- Working Temp. Range -30°F to 230°F (250°F intermittent)
- Commonly used with greases, aliphatic hydrocarbon mineral and vegetable oils, and various hydraulic fluids

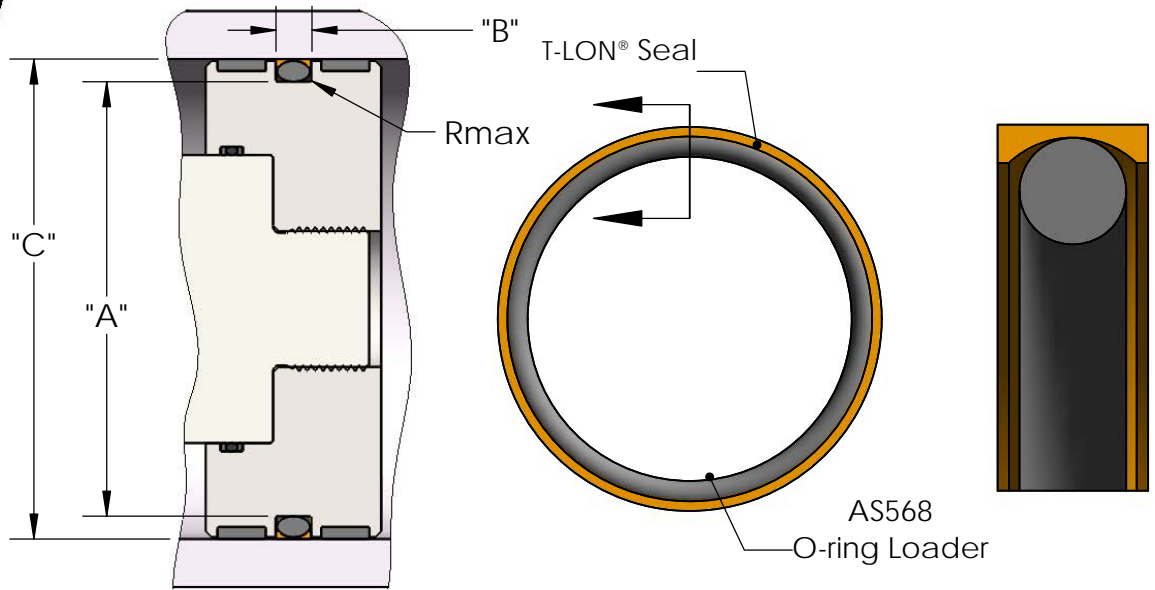
EPDM SHORE 70 A ("E")

- Working Temp. Range -50°F to 300°F (400°F steam intermittent)
- Commonly used with water, steam, water/ silicone/ glycol based fluids, and app's affected by ozone and weathering.

ORDERING INFORMATION

POC - - - - -

<p>See Table</p> <p>"0" = 0 B/U Width "1" = 1 B/U Width "2" = 2 B/U Width</p> <p>"117" = 1.000" Piston Seal "224" = 2.000" Piston Seal</p> <p>"03" = 15% Glass filled PTFE "41" = 15% Mineral/MoS2 filled PTFE</p>	<p>G R O O V E O P T I O N</p>	<p>D A S H S I Z E</p>	<p>T L O N M A T E R I A L</p>	<p>G R O O V E O P T I O N</p> <p>P A C K A G I N G</p> <p>L O A D E R</p> <p>OMIT IF NO LOADERS REQ'D "P" = STANDARD NBR 70A "E" = EPDM 70A "V" = FKM 75A</p> <p>OMIT IF NO LOADERS REQ'D "B" = BULK PACKAGE COMPONENTS "I" = INDIVIDUALLY PACKAGE SEALS</p> <p>OMIT IF NO FACE GROOVES REQ'D "G" = ADD FACE GROOVES</p>
--	------------------------------------	----------------------------	------------------------------------	---



T-LON® "POC" Series Piston Seal Sizes
Groove dimensions for "POC" Series

Available Dash Sizes	Bore Dia. H9 (C)	Recommended Bore Dia. Range	Groove Dimension			R _{max}	
			Dia. h9 (A)	Width (B) "0" +.005/-0.000	Width (B) "1" +.005/-0.000		Width (B) "2" +.005/-0.000
-004 to -055	0.203 to 6.625	Up to 5/16"	Dia. C - .110	0.093	0.138	0.205	0.005
-102 to -178	0.250 to 9.938	5/16" - 7/16"	Dia. C - .175	0.140	0.171	0.238	0.005
-201 to -284	0.438 to 18.250	7/16" - 3/4"	Dia. C - .242	0.187	0.208	0.275	0.010
-309 to -388	0.813 to 19.375	13/16" - 5"	Dia. C - .370	0.281	0.311	0.410	0.020
-404 to -468	2.375 to 20.000	5" and up	Dia. C - .474	0.375	0.408	0.538	0.020